



ALTEX[®]

SunProject[™]

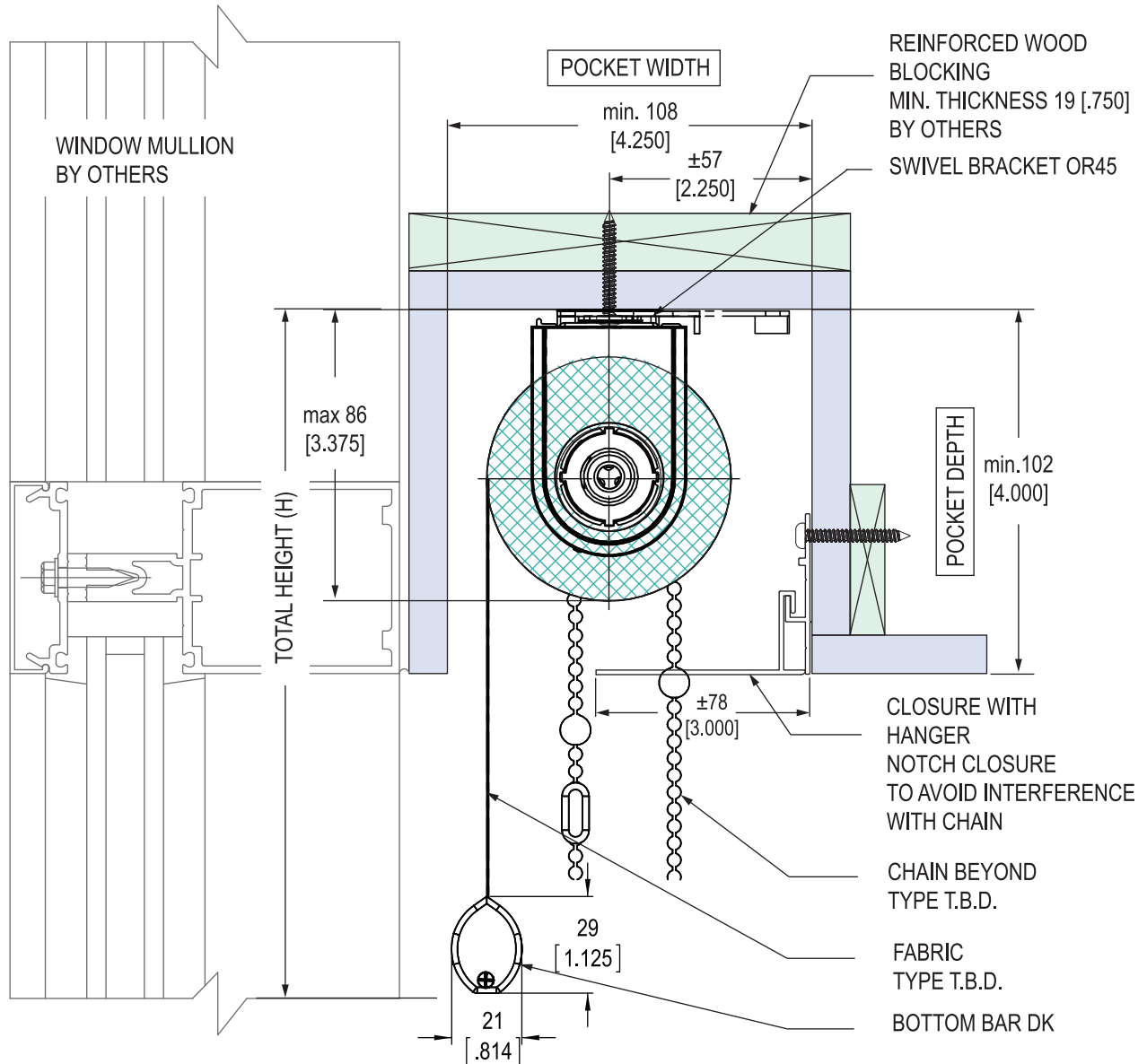
line of products

ROLLER SHADING SYSTEMS

LITE-LIFT[®] ELEKTRA



RECESSED APPLICATION



NOTE: For size limitation guidelines, please refer to our Size Limitation Detail Sheets or contact our Technical Department.

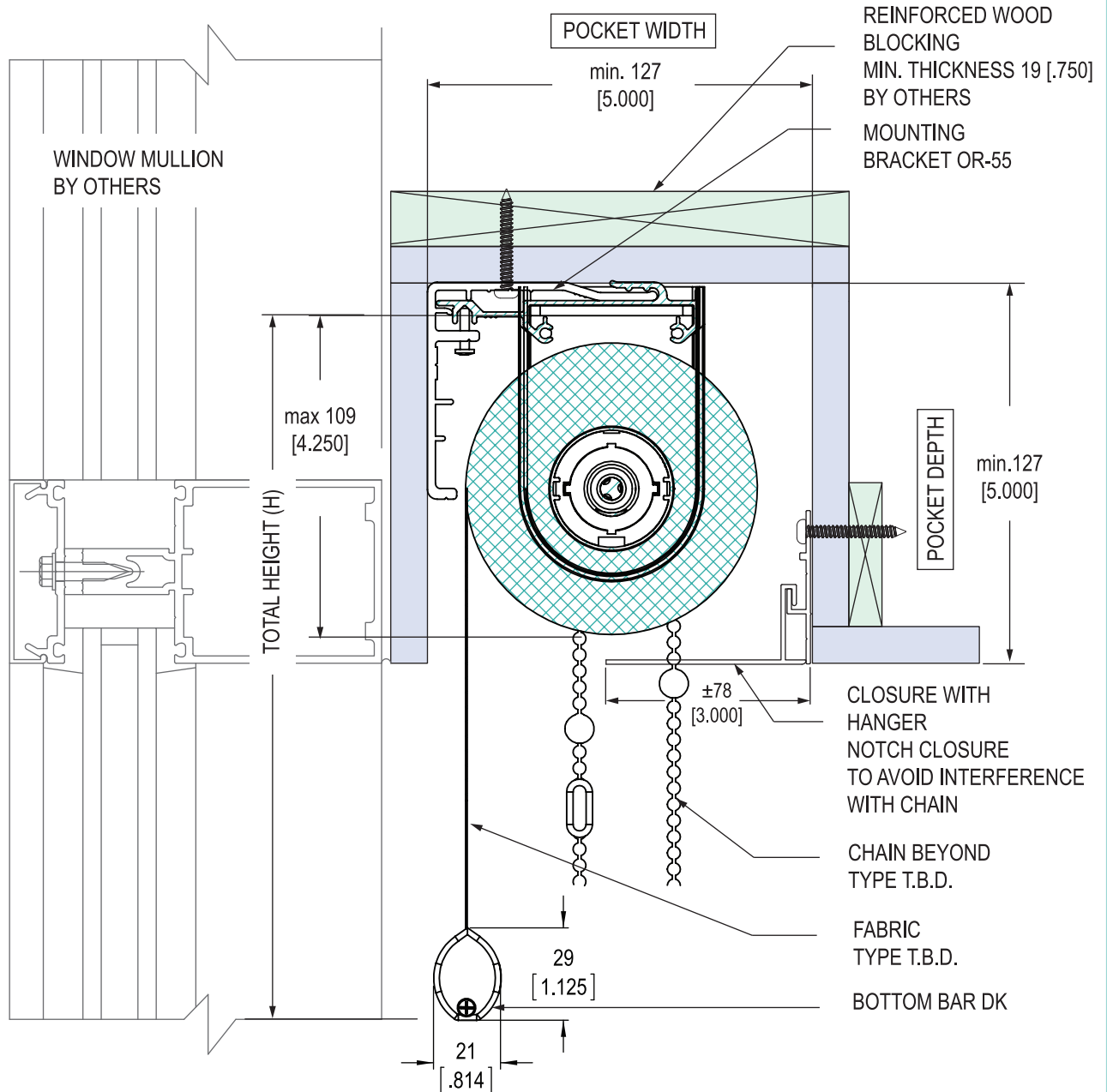
NOTES:

- 1) POCKET SHOWN CONCEPTUAL. POCKET - BY OTHERS.
- 2) DRAWING SHOWN FOR REFERENCE. CONTACT TECH. DEPT. FOR SITE SPECIFIC DRAWINGS

| | | |
|---|---|---|
| MONTREAL T: 800.363.5930 @: info@altex.ca | TORONTO T: 888.836.6980 @: sales@altex.ca | VANCOUVER T: 888.980.9899 @: servicewest@altex.ca |
|---|---|---|

DK01-LL-OR45-PKT

OPEN ROLL 45 with SHADE HOLDER



NOTE: For size limitation guidelines, please refer to our Size Limitation Detail Sheets or contact our Technical Department.

NOTES:

- 1) POCKET SHOWN CONCEPTUAL. POCKET - BY OTHERS.
- 2) DRAWING SHOWN FOR REFERENCE. CONTACT TECH. DEPT. FOR SITE SPECIFIC DRAWINGS

MONTREAL

T: 800.363.5930

@: info@altex.ca

TORONTO

T: 888.836.6980

@: sales@altex.ca

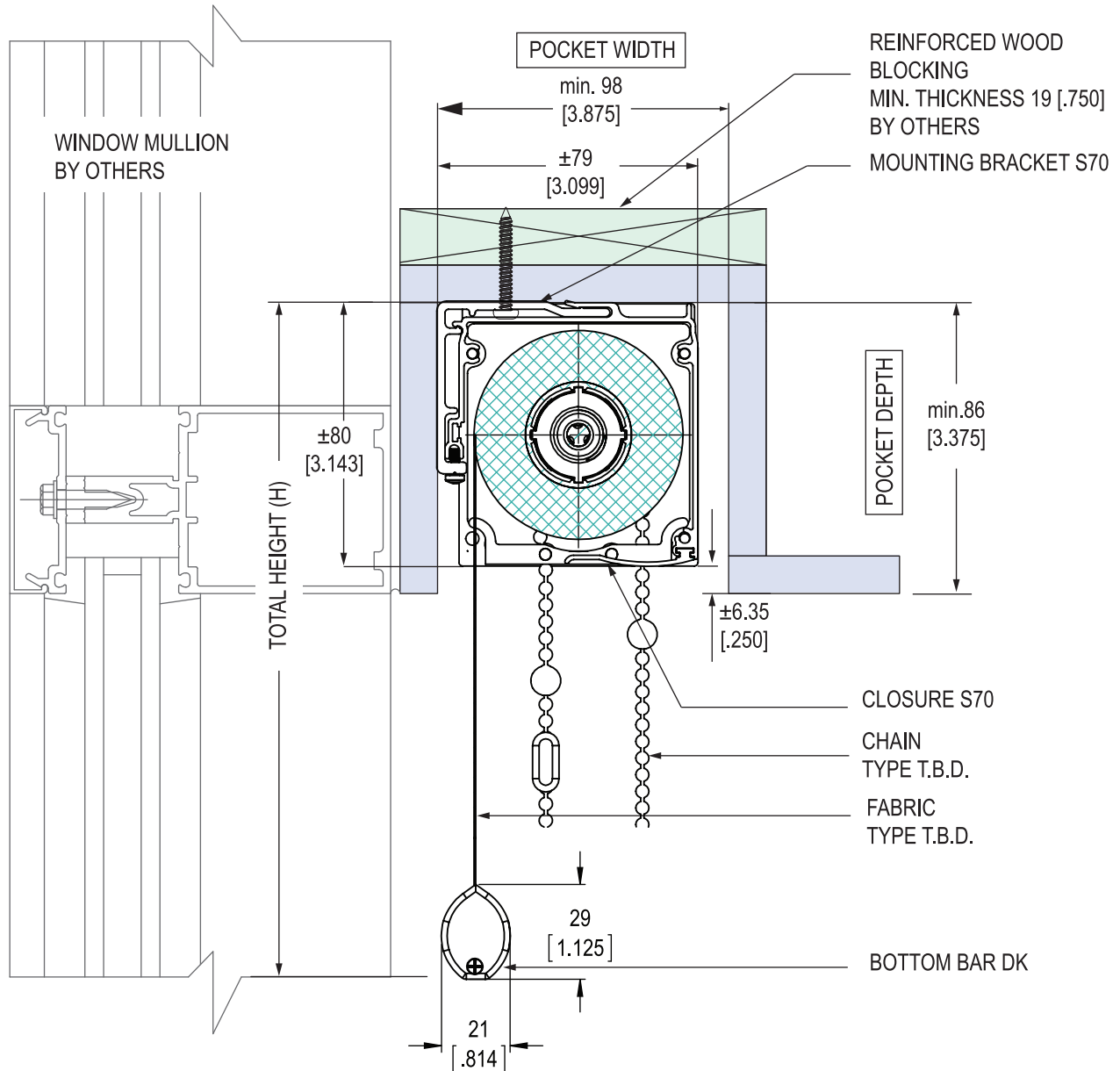
VANCOUVER

T: 888.980.9899

@: servicewest@altex.ca

DK01-LL-OR55-PKT

OPEN ROLL 55 with SHADE HOLDER



NOTE: For size limitation guidelines, please refer to our Size Limitation Detail Sheets or contact our Technical Department.

NOTES:

- 1) POCKET SHOWN CONCEPTUAL. POCKET - BY OTHERS.
- 2) DRAWING SHOWN FOR REFERENCE. CONTACT TECH. DEPT. FOR SITE SPECIFIC DRAWINGS

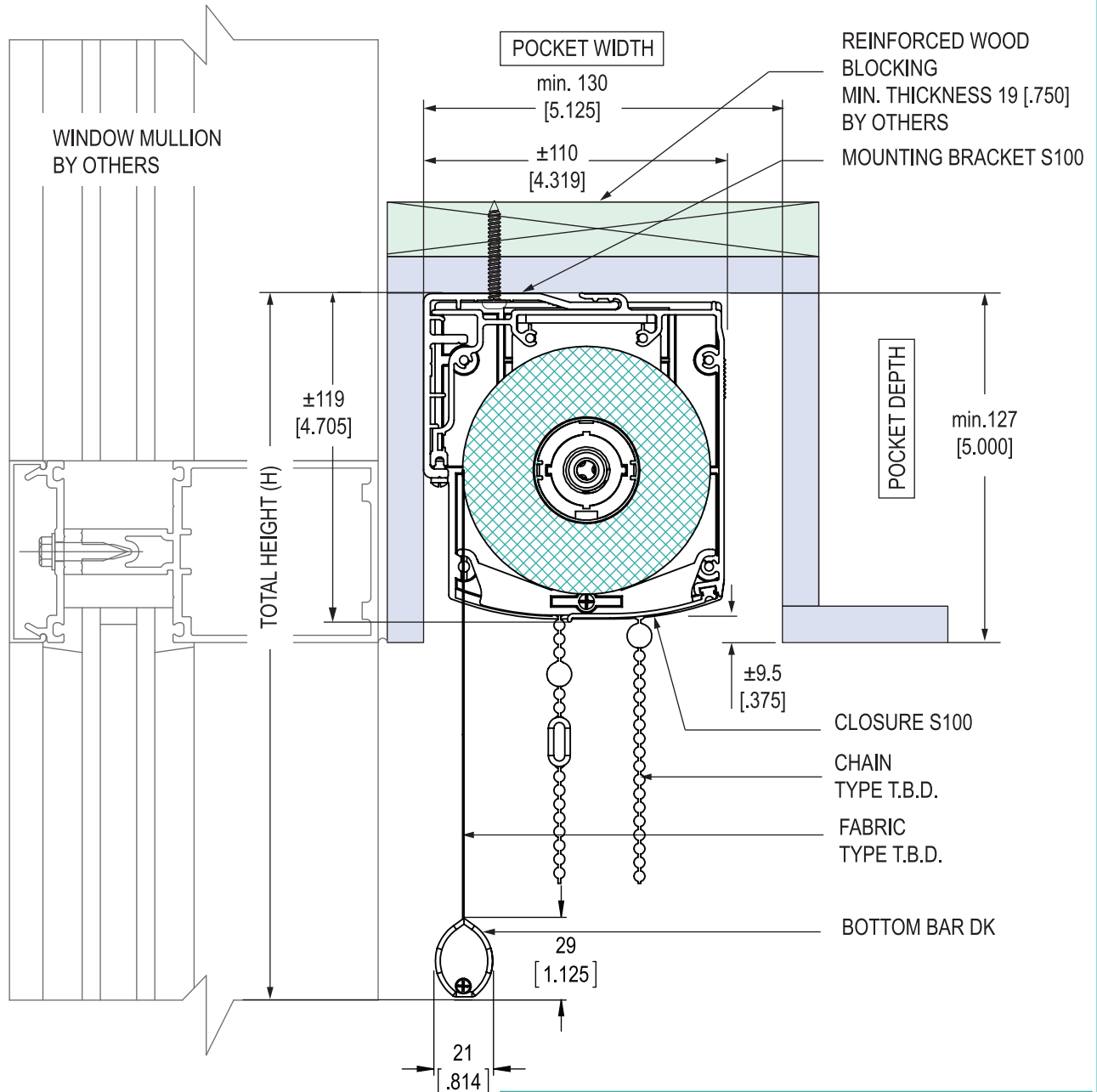
MONTREAL
T: 800.363.5930
@: info@altex.ca

TORONTO
T: 888.836.6980
@: sales@altex.ca

VANCOUVER
T: 888.980.9899
@: servicewest@altex.ca

DK01-S70-LL-PKT

CASSETTE S-70



NOTE: For size limitation guidelines, please refer to our Size Limitation Detail Sheets or contact our Technical Department.

NOTES:

- 1) POCKET SHOWN CONCEPTUAL. POCKET - BY OTHERS.
- 2) DRAWING SHOWN FOR REFERENCE. CONTACT TECH. DEPT. FOR SITE SPECIFIC DRAWINGS

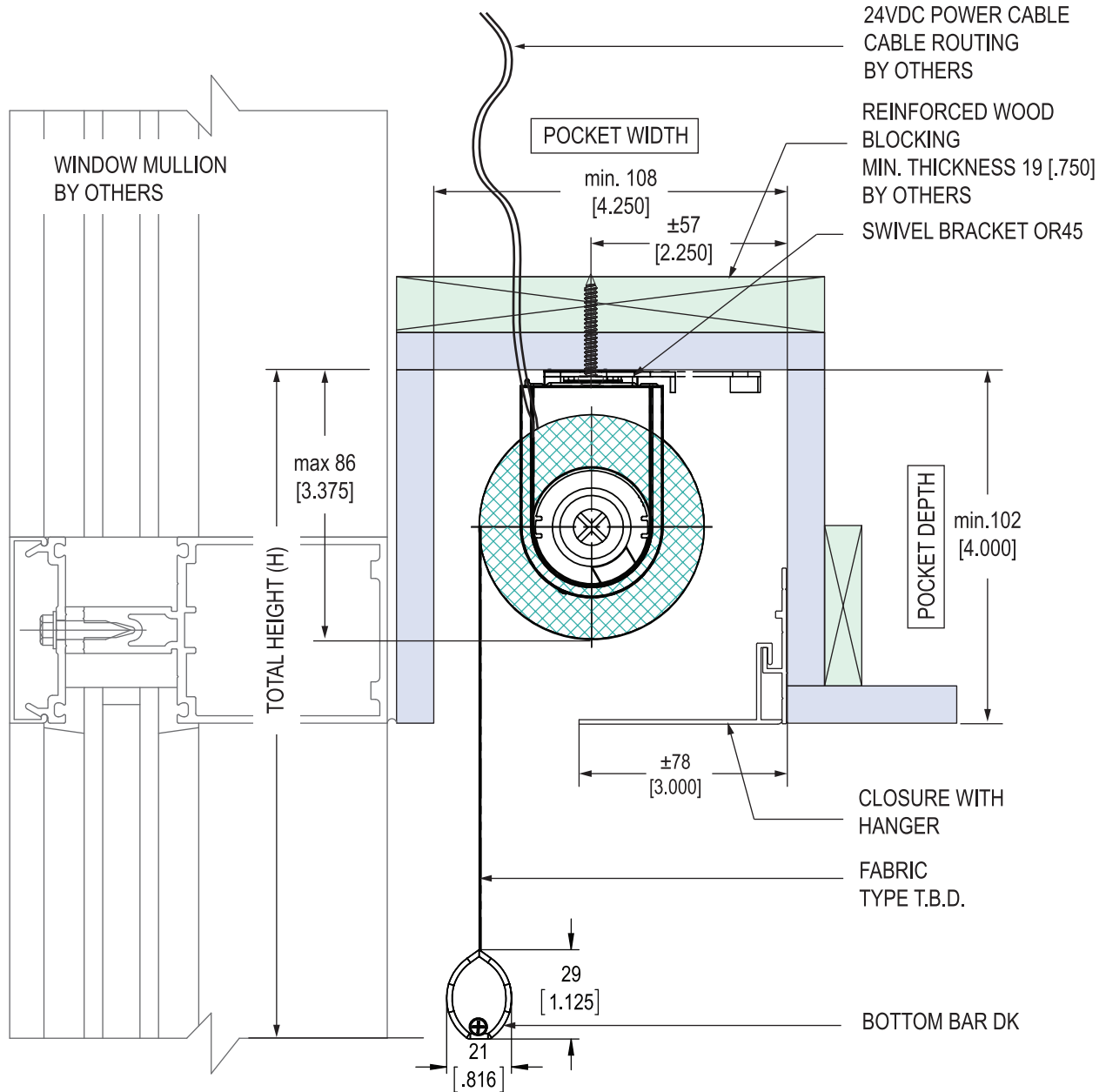
MONTREAL
T: 800.363.5930
@: info@altex.ca

TORONTO
T: 888.836.6980
@: sales@altex.ca

VANCOUVER
T: 888.980.9899
@: servicewest@altex.ca

DK01-S100-LL-PKT

CASSETTE S-100



NOTES:

- 1) POCKET SHOWN CONCEPTUAL. POCKET - BY OTHERS.
- 2) DRAWING SHOWN FOR REFERENCE. CONTACT TECH. DEPT. FOR SITE SPECIFIC DRAWINGS
- 3) CABLE ROUTING MUST BE DETERMINED PRIOR SHADE INSTALLATION. COORDINATE WITH TECH. DEPT.
- 4) 24VDC AND DATA WIRING - BY OTHERS

NOTE: For size limitation guidelines, please refer to our Size Limitation Detail Sheets or contact our Technical Department.

MONTREAL

T: 800.363.5930

@: info@altex.ca

TORONTO

T: 888.836.6980

@: sales@altex.ca

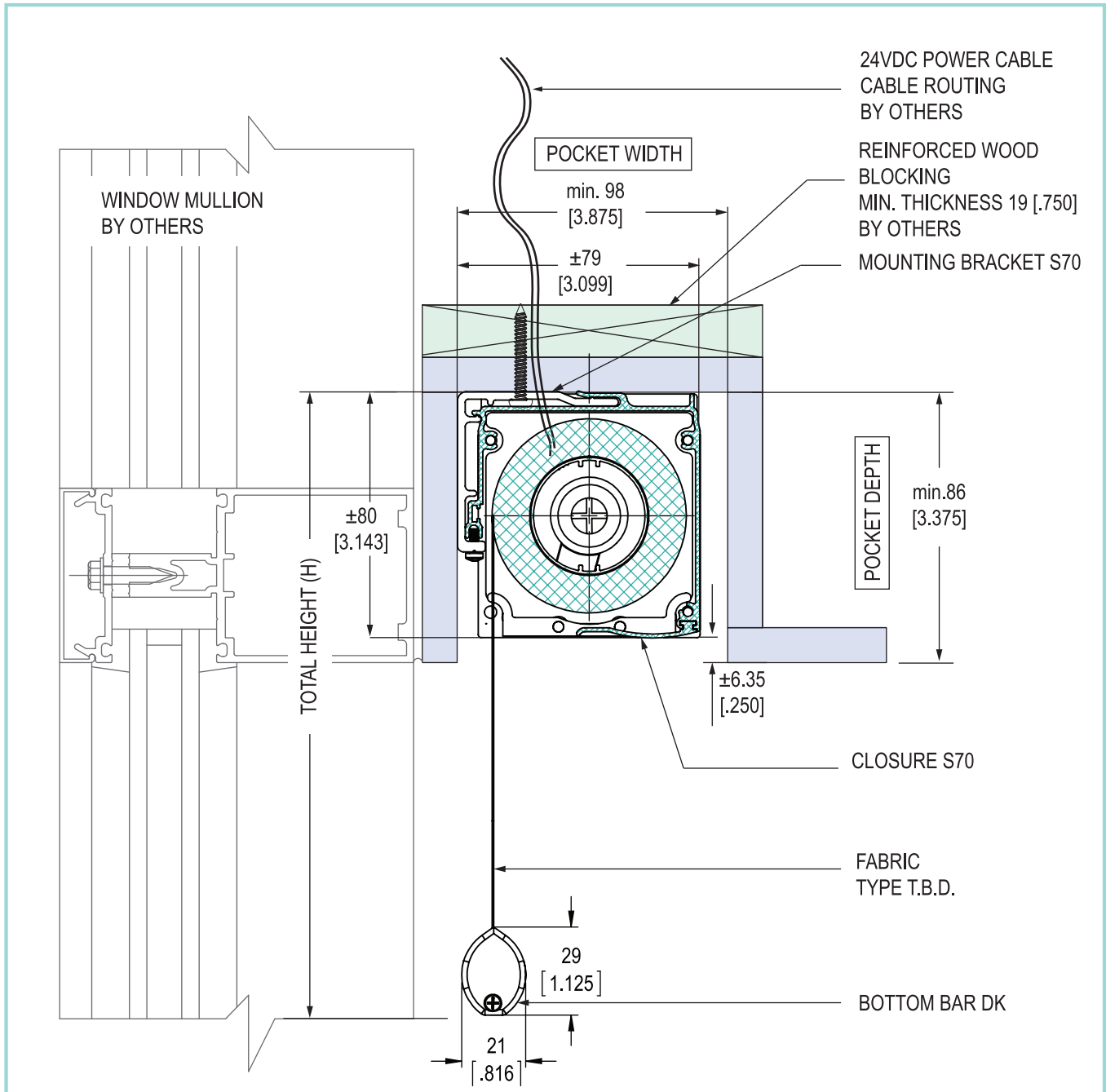
VANCOUVER

T: 888.980.9899

@: servicewest@altex.ca

DKO1-EM-OR45-UQM30-PKT

OPEN ROLL 45 with SHADE HOLDER



NOTES:

- 1) POCKET SHOWN CONCEPTUAL. POCKET - BY OTHERS.
- 2) DRAWING SHOWN FOR REFERENCE. CONTACT TECH. DEPT. FOR SITE SPECIFIC DRAWINGS
- 3) CABLE ROUTING MUST BE DETERMINED PRIOR SHADE INSTALLATION. COORDINATE WITH TECH. DEPT.
- 4) 24VDC AND DATA WIRING - BY OTHERS

NOTE: For size limitation guidelines, please refer to our Size Limitation Detail Sheets or contact our Technical Department.

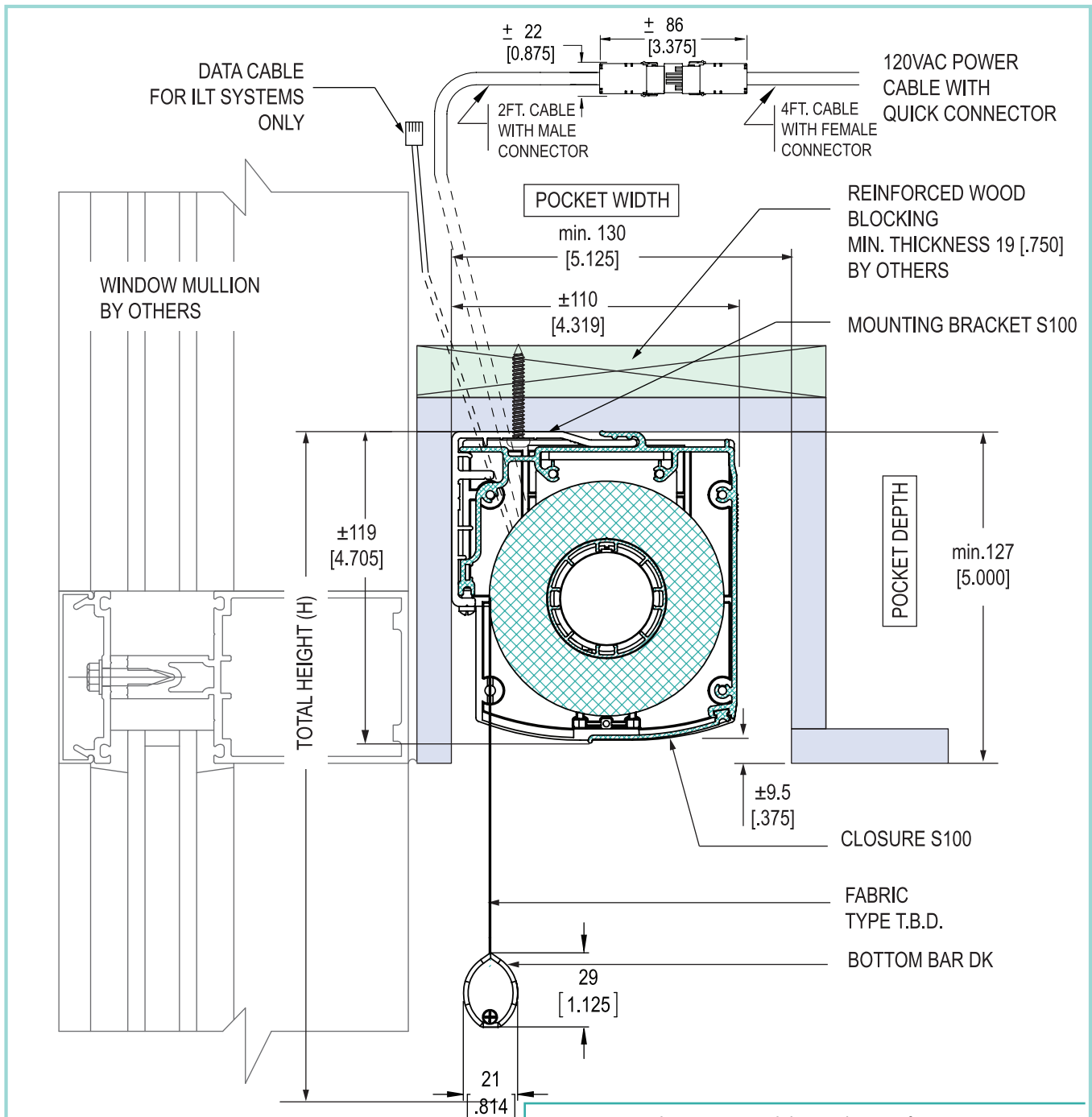
MONTREAL
T: 800.363.5930
@: info@altex.ca

TORONTO
T: 888.836.6980
@: sales@altex.ca

VANCOUVER
T: 888.980.9899
@: servicewest@altex.ca

DKO1-EM-S70-UQM30-PKT

CASSETTE S-70



NOTES:

- 1) POCKET SHOWN CONCEPTUAL. POCKET - BY OTHERS.
- 2) DRAWING SHOWN FOR REFERENCE. CONTACT TECH. DEPT. FOR SITE SPECIFIC DRAWINGS
- 3) CABLE ROUTING MUST BE DETERMINED PRIOR SHADE INSTALLATION. COORDINATE WITH TECH. DEPT.
- 4) 120VAC AND DATA WIRING - BY OTHERS

NOTE: For size limitation guidelines, please refer to our Size Limitation Detail Sheets or contact our Technical Department.

MONTREAL
T: 800.363.5930
@: info@altex.ca

TORONTO
T: 888.836.6980
@: sales@altex.ca

VANCOUVER
T: 888.980.9899
@: servicewest@altex.ca

DK01-S100-EM-PKT

CASSETTE S-100



ALTEX[®]

SunProject[™]
line of products

MONTREAL

3530, boul. des Entreprises

Terrebonne (Québec)

Canada J6X 4J8

Phone: 450-968-0880

Toll free: 800-363-5930

TORONTO

500 Applewood Crescent

Vaughan, Ontario

Canada L4K 4B4

Phone: 905-660-3117

Toll free: 888-836-6980

VANCOUVER

1160-21331 Gordon Way

Richmond, British Columbia

Canada V6W 1J9

Phone: 604-980-9899

Toll free: 888-980-9899

