

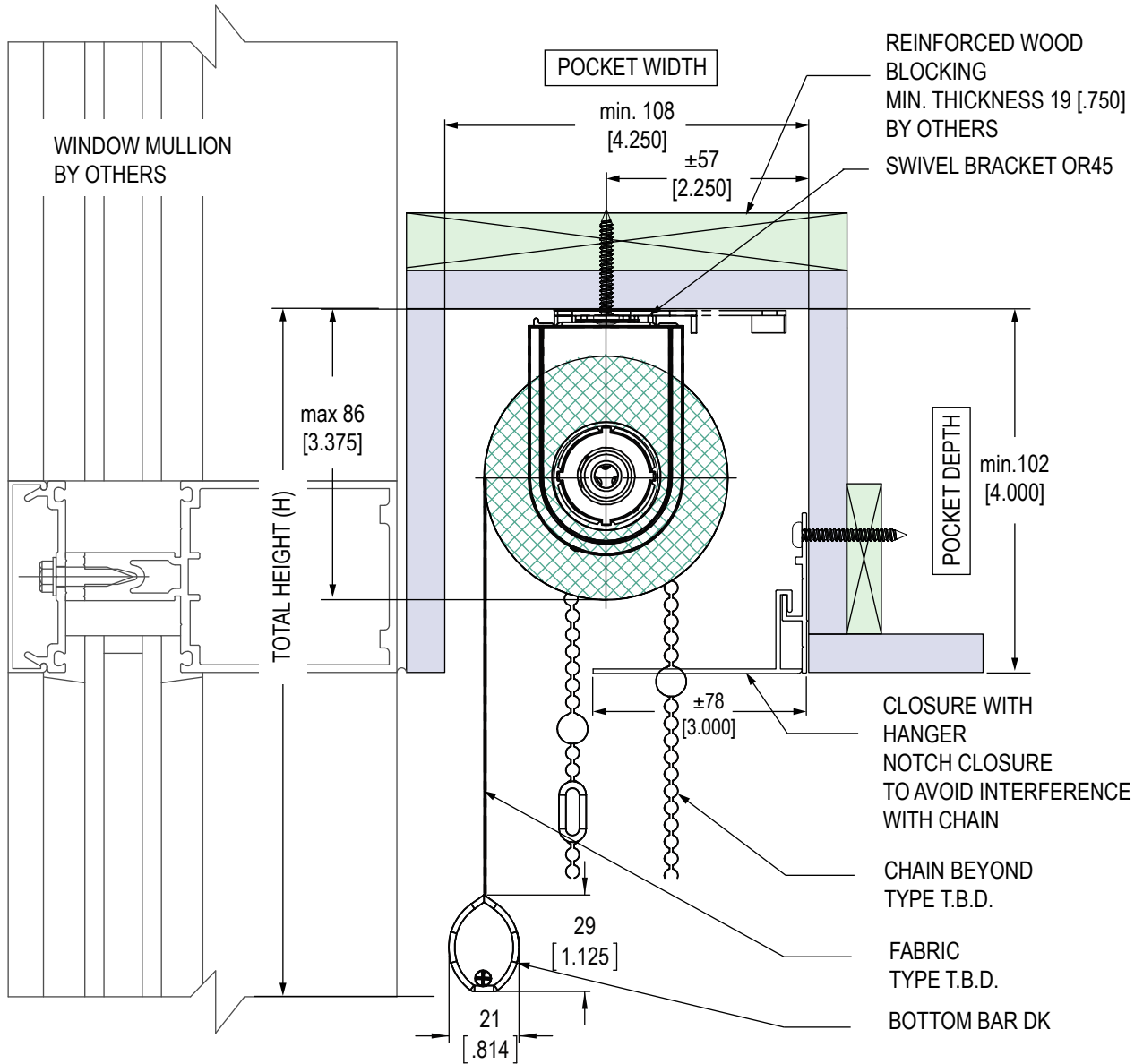


**ALTEX**<sup>®</sup>  
SunProject<sup>™</sup>  
Line of Products



ROLLER SHADING SYSTEMS

# RECESSED APPLICATION



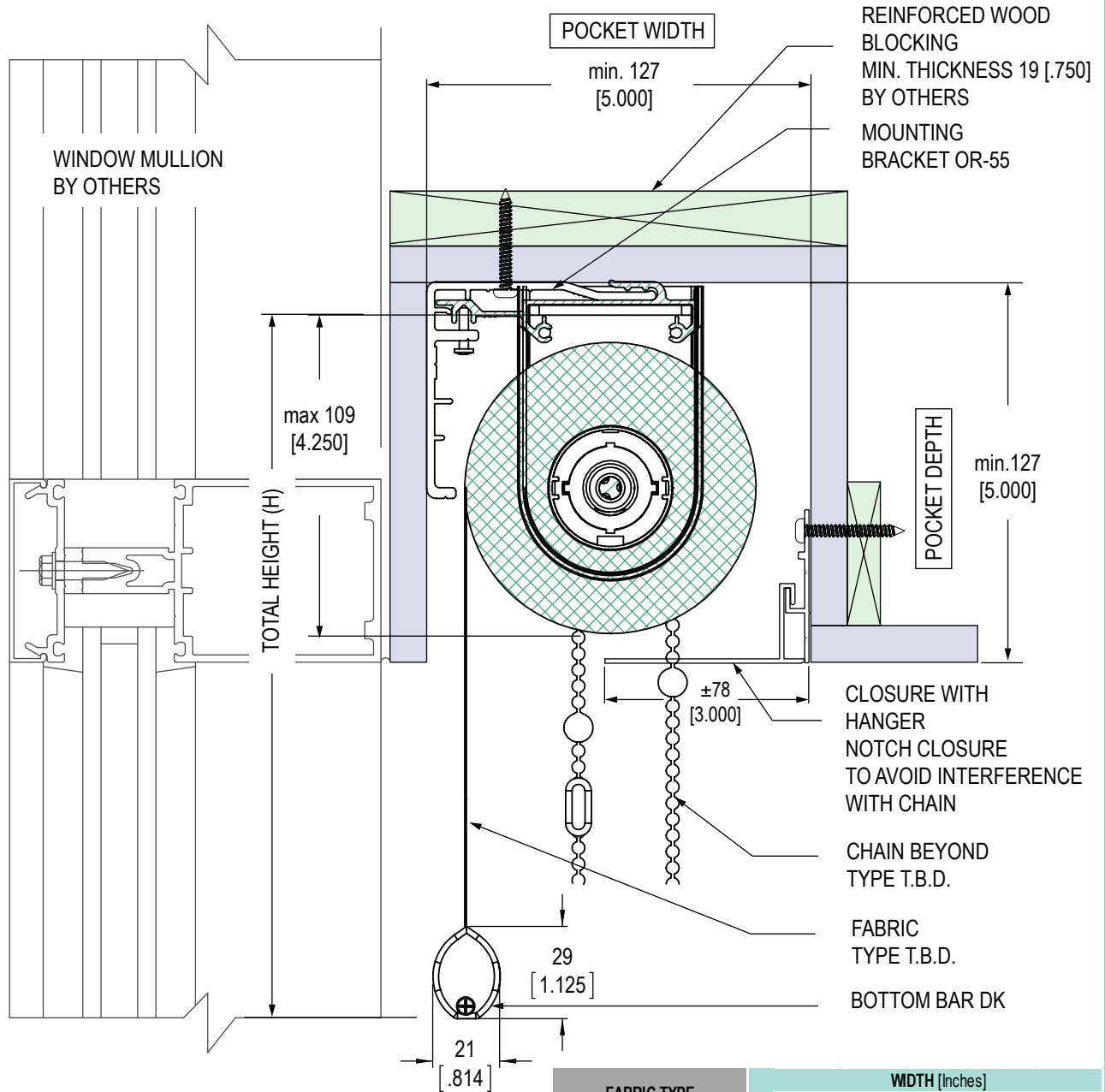
NOTES:

- 1) POCKET SHOWN CONCEPTUAL. POCKET - BY OTHERS.
- 2) DRAWING SHOWN FOR REFERENCE. CONTACT TECH. DEPT. FOR SITE SPECIFIC DRAWINGS

FABRIC TYPE	WDTH [Inches]				
	48	72	96	108	120
BO-100	132	132	90	66	n/a
EB-700	126	126	78	66	n/a
SC-1000 / SC-2000 / SC-3400	132	132	90	66	n/a
SC-3500 / SC-3600	132	126	84	60	n/a
SC-4000 / SC-4400 / SC-4800	96	78	48	30	n/a
ES-8400M	132	132	84	84	n/a
ES-8500	132	132	132	114	n/a
ES-8600	132	132	132	114	n/a

DKO1-LL-OR45-PKT

OPEN ROLL 45 with SHADE HOLDER



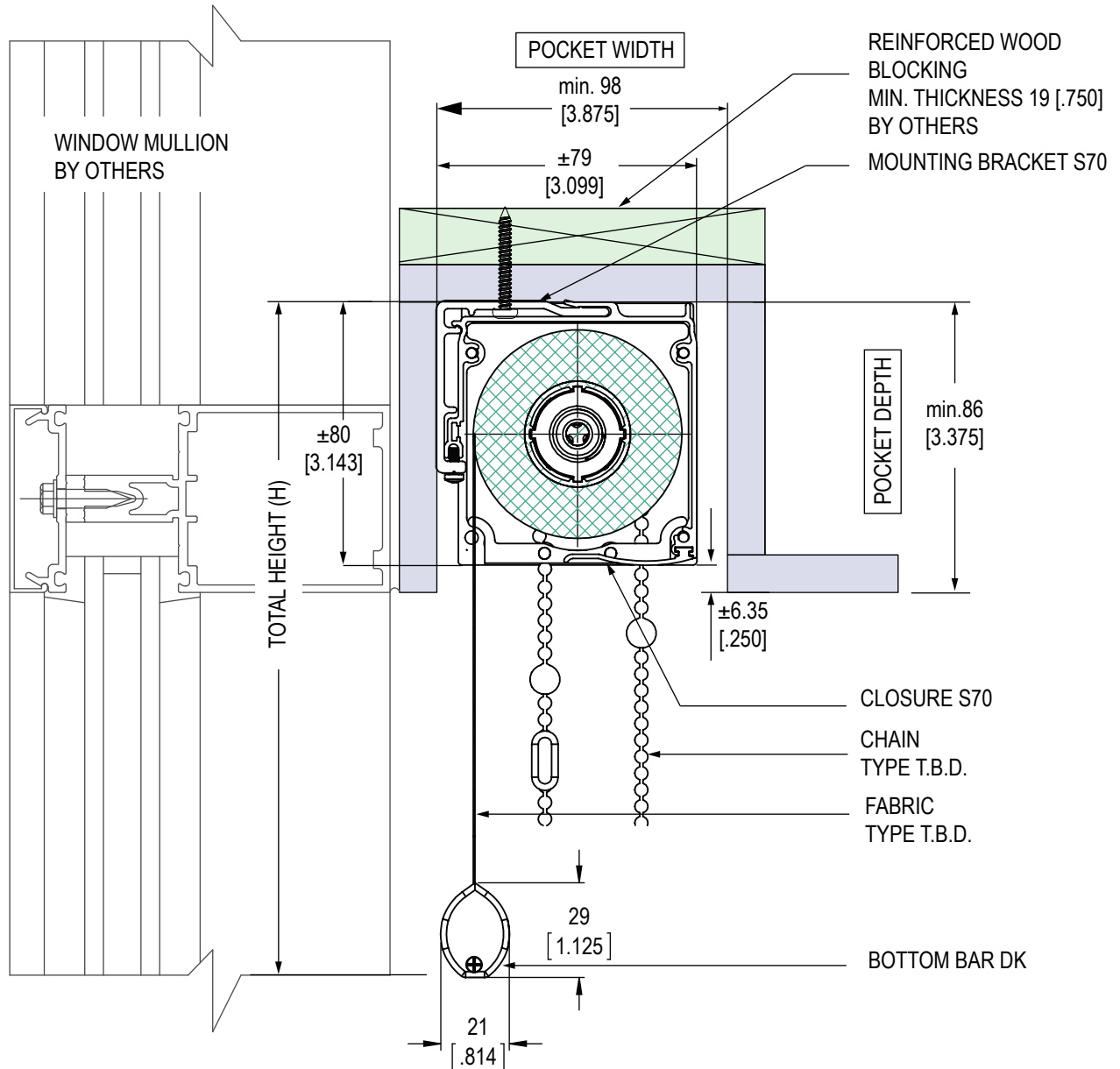
NOTES:

- 1) POCKET SHOWN CONCEPTUAL. POCKET - BY OTHERS.
- 2) DRAWING SHOWN FOR REFERENCE. CONTACT TECH. DEPT. FOR SITE SPECIFIC DRAWINGS

FABRIC TYPE	WIDTH [Inches]				
	48	72	96	108	120
BO-100	180	150	90	78	36
EB-700	180	156	90	78	36
SC-1000 / SC-2000 / SC-3400	180	150	90	78	36
SC-3500 / SC-3600	180	144	84	72	36
SC-4000 / SC-4400 / SC-4800	138	84	48	42	n/a
ES-8400M	180	180	84	84	66
ES-8500	180	180	156	132	66
ES-8600	180	180	156	132	66

**DKO1-LL-OR55-PKT**

**OPEN ROLL 55 with SHADE HOLDER**



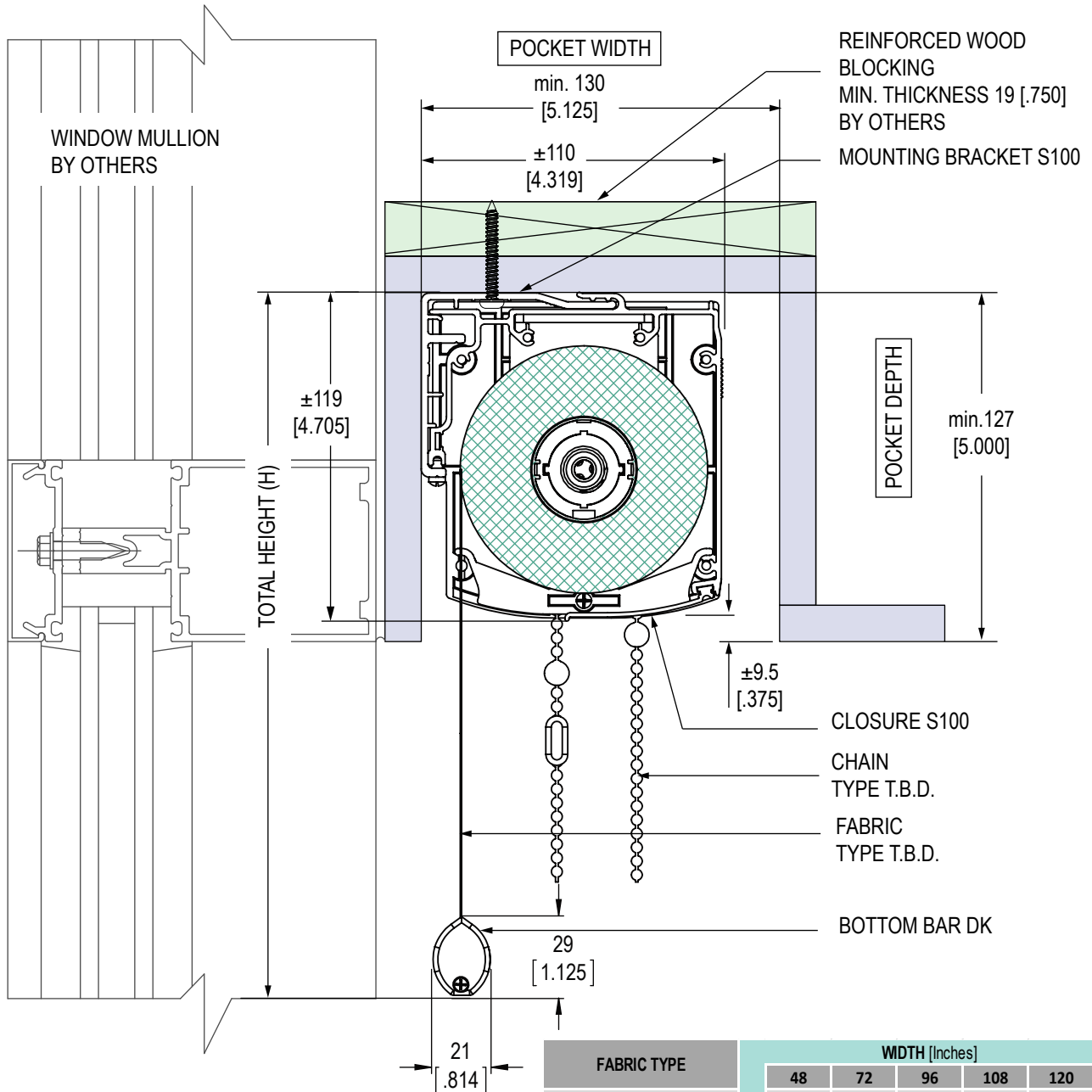
NOTES:

- 1) POCKET SHOWN CONCEPTUAL. POCKET - BY OTHERS.
- 2) DRAWING SHOWN FOR REFERENCE. CONTACT TECH. DEPT. FOR SITE SPECIFIC DRAWINGS

FABRIC TYPE	WDTH [Inches]				
	48	72	96	108	120
BO-100	144	126	90	66	36
EB-700	84	84	60	30	30
SC-1000 / SC-2000 / SC-3400	120	120	90	48	36
SC-3500 / SC-3600	102	102	72	42	36
SC-4000 / SC-4400 / SC-4800	60	60	42	n/a	n/a
ES-8400M	144	144	84	84	66
ES-8500	144	144	114	66	66
ES-8600	144	144	114	66	66

DKO1-S70-LL-PKT

CASSETTE S-70



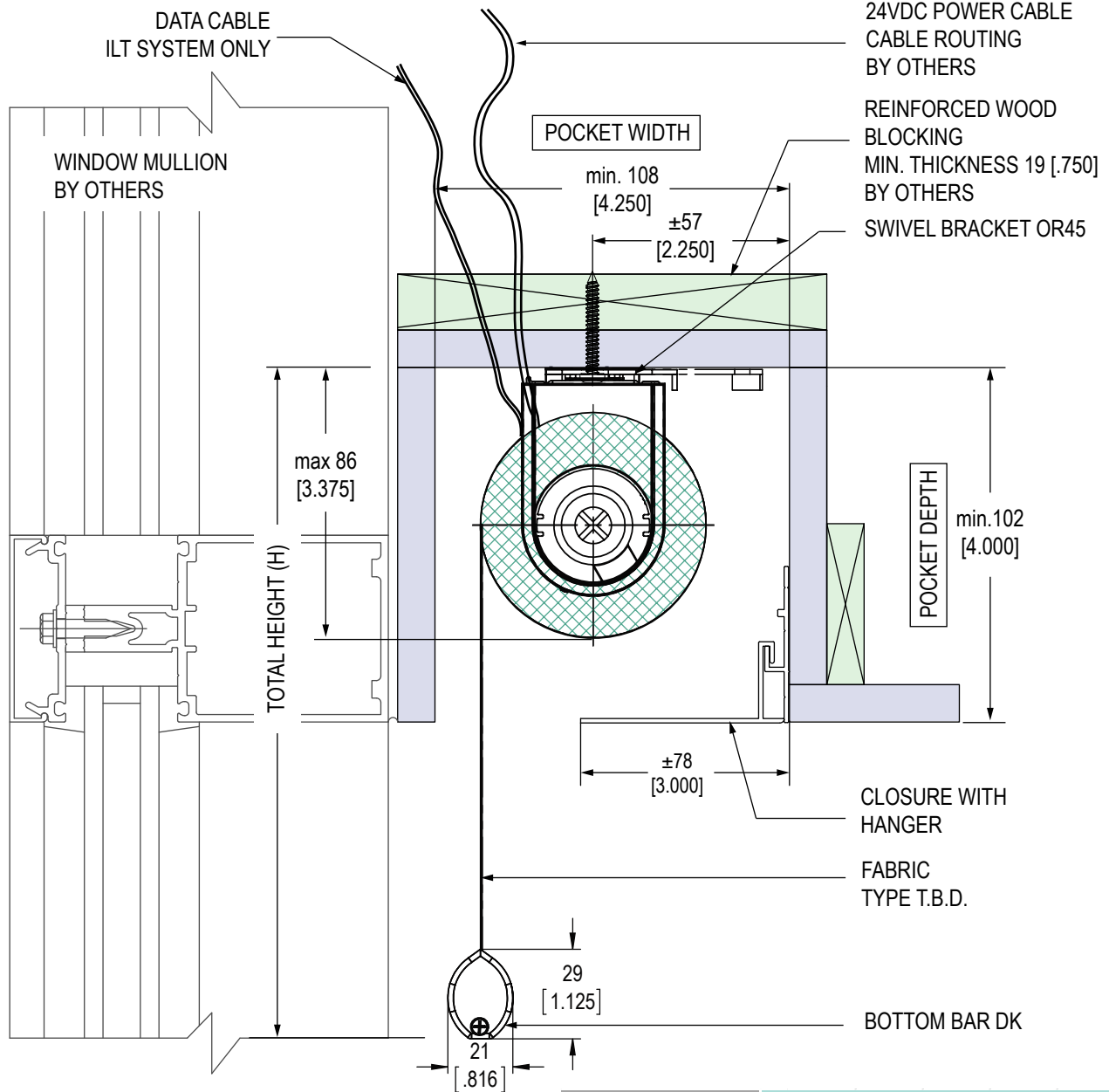
**NOTES:**

- 1) POCKET SHOWN CONCEPTUAL. POCKET - BY OTHERS.
- 2) DRAWING SHOWN FOR REFERENCE. CONTACT TECH. DEPT. FOR SITE SPECIFIC DRAWINGS

FABRIC TYPE	WIDTH [Inches]				
	48	72	96	108	120
BO-100	180	150	90	78	36
EB-700	180	156	90	78	36
SC-1000 / SC-2000 / SC-3400	180	150	90	78	36
SC-3500 / SC-3600	180	144	84	72	36
SC-4000 / SC-4400 / SC-4800	138	84	48	42	n/a
ES-8400M	180	180	84	84	66
ES-8500	180	180	156	132	66
ES-8600	180	180	156	132	66

**DKO1-S100-LL-PKT**

**CASSETTE S-100**



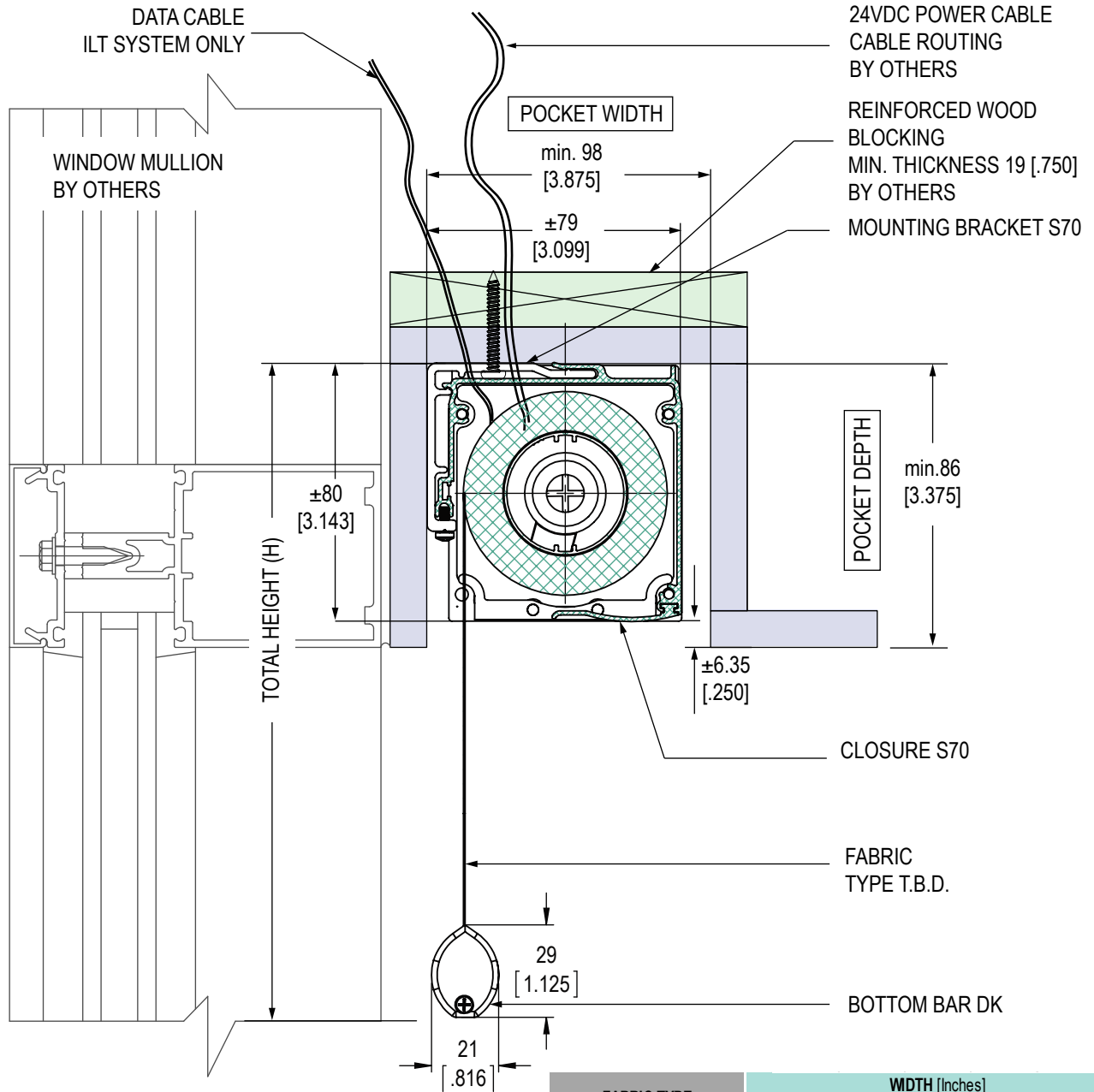
**NOTES:**

- 1) POCKET SHOWN CONCEPTUAL. POCKET - BY OTHERS.
- 2) DRAWING SHOWN FOR REFERENCE. CONTACT TECH. DEPT. FOR SITE SPECIFIC DRAWINGS
- 3) CABLE ROUTING MUST BE DETERMINED PRIOR SHADE INSTALLATION. COORDINATE WITH TECH. DEPT.
- 4) 24VDC AND DATA WIRING - BY OTHERS

FABRIC TYPE	WIDTH [Inches]				
	48	72	96	108	120
BO-100	132	132	132	114	36
EB-700	126	126	90	78	36
SC-1000 / SC-2000 / SC-3400	132	132	108	108	36
SC-3500 / SC-3600	132	132	96	96	36
SC-4000 / SC-4400 / SC-4800	96	96	54	54	n/a
ES-8400M	132	132	84	84	66
ES-8500	132	132	132	132	66
ES-8600	132	132	132	132	66

**DKO1-EM-OR45-UQM30-PKT**

**OPEN ROLL 45 with SHADE HOLDER**



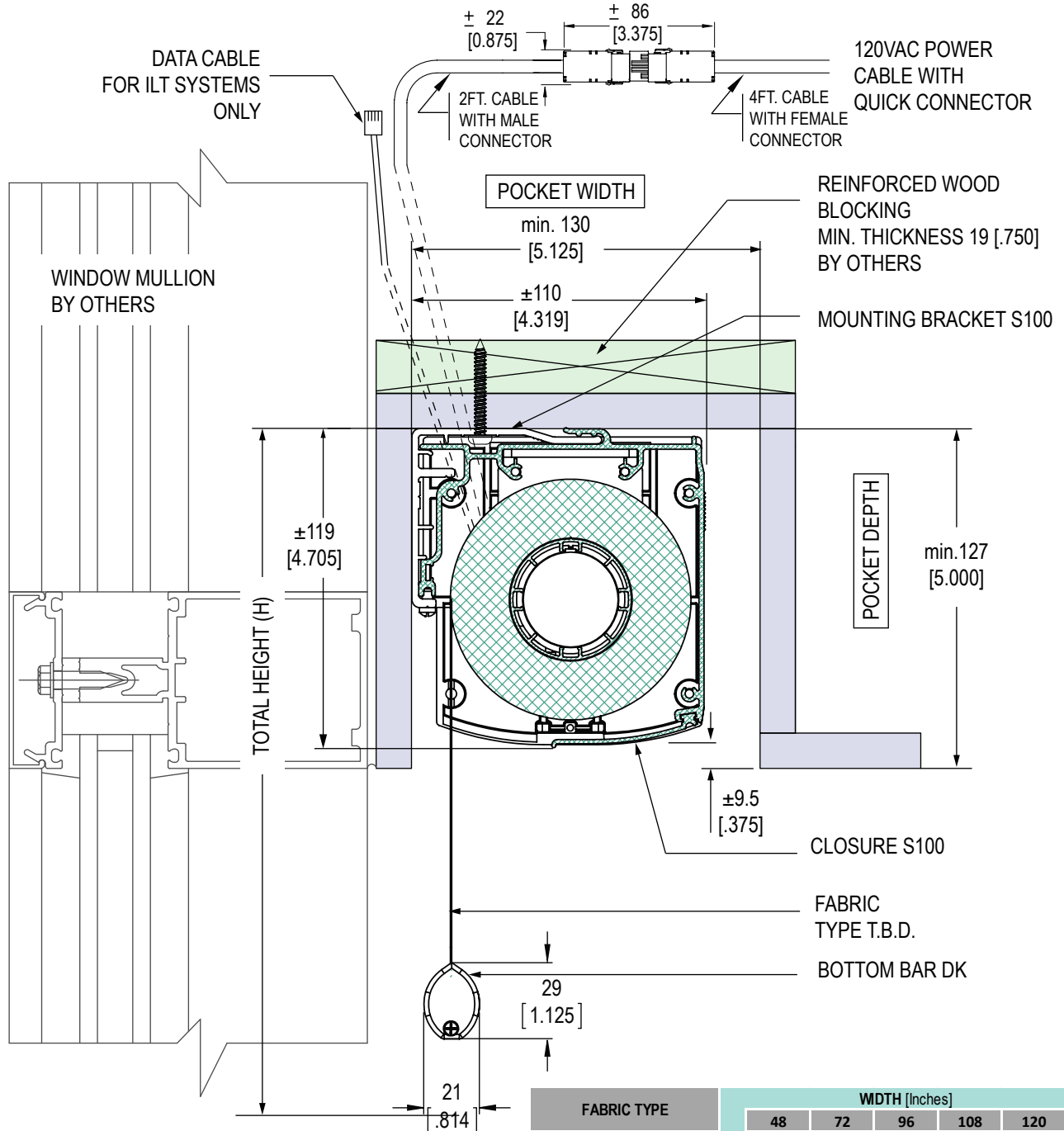
**NOTES:**

- 1) POCKET SHOWN CONCEPTUAL. POCKET - BY OTHERS.
- 2) DRAWING SHOWN FOR REFERENCE. CONTACT TECH. DEPT. FOR SITE SPECIFIC DRAWINGS
- 3) CABLE ROUTING MUST BE DETERMINED PRIOR SHADE INSTALLATION. COORDINATE WITH TECH. DEPT.
- 4) 24VDC AND DATA WIRING - BY OTHERS

FABRIC TYPE	WIDTH [Inches]				
	48	72	96	108	120
BO-100	144	144	90	66	36
EB-700	84	84	60	30	30
SC-1000 / SC-2000 / SC-3400	120	120	90	48	36
SC-3500 / SC-3600	102	102	72	42	36
SC-4000 / SC-4400 / SC-4800	60	60	42	n/a	n/a
ES-8400M	144	144	84	84	66
ES-8500	144	144	114	66	66
ES-8600	144	144	114	66	66

**DKO1-EM-S70-UQM30-PKT**

**CASSETTE S-70**



**NOTES:**

- 1) POCKET SHOWN CONCEPTUAL. POCKET - BY OTHERS.
- 2) DRAWING SHOWN FOR REFERENCE. CONTACT TECH. DEPT. FOR SITE SPECIFIC DRAWINGS
- 3) CABLE ROUTING MUST BE DETERMINED PRIOR SHADE INSTALLATION. COORDINATE WITH TECH. DEPT.
- 4) 120VAC AND DATA WIRING - BY OTHERS

FABRIC TYPE	WIDTH [Inches]				
	48	72	96	108	120
BO-100	180	180	180	114	36
EB-700	180	180	180	114	36
SC-1000 / SC-2000 / SC-3400	180	180	180	114	36
SC-3500 / SC-3600	180	180	180	108	36
SC-4000 / SC-4400 / SC-4800	156	156	132	60	n/a
ES-8400M	180	180	84	84	66
ES-8500	180	180	180	180	66
ES-8600	180	180	180	180	66

**DKO1-S100-EM-PKT**

**CASSETTE S-100**





**ALTEX<sup>®</sup>**

**SunProject<sup>™</sup>**  
Line of Products

**MONTREAL**

3530, boul. des Entreprises

Terrebonne (Québec)

Canada J6X 4J8

Phone: 450-968-1171

Toll free: 888-363-5930

**TORONTO**

500 Applewood Crescent

Vaughan, Ontario

Canada L4K 4B4

Phone: 905-660-3117

Toll free: 888-836-6980

**VANCOUVER**

1160-21331 Gordon Way

Richmond, British Columbia

Canada V6W 1J9

Phone: 450-968-0880

Toll free: 888-980-9899